



# ATLAS

SINCE 1919

**POWERFUL.  
OPTIMISED.  
COMFORTABLE.**

 12.5 t

 123 kW (165 HP)

 2.1 m<sup>3</sup>



## WHEEL LOADER L210

[WWW.ATLASGMBH.COM](http://WWW.ATLASGMBH.COM)

# TECHNICAL SPECIFICATION L210

## Technical specifications

### ENGINE

Net power rating at 1900 rpm (ISO 9249).....123 kW / 1900 min <sup>-1</sup>	Number of cylinders .....6	Battery .....2 x 12 V / 100 Ah / 900 A
Make / model ..... Cummins QSB 6.7 T4Final	Cooling system .....Water-cooled	Alternator ..... 24 V / 70 A
Design..... Turbocharger / charge-air cooling	Air filter..... Cyclone air filter	Starter..... 24 V / 4.8 kW
Torque..... 841 Nm / 1500 min <sup>-1</sup>		

### HYDRAULIC SYSTEM

• Max. flow..... 190 l/min	• Load-sensing pump variable displacement pump for working hydraulic	• 3 <sup>rd</sup> Hydraulic loop as standard
• Max. operating pressure ..... 310 bar	• Hydraulic oil cooling with thermostat	• Pilot operated control circles for Lift/Lower, Dump, Tilt
• Return - Suction oil filter	• Proportional and sensitive operation with LUDV control block	• All main functions control trough one joystick

### LOADING EQUIPMENT

• Combined P+Z Kinematic	• Lifting ..... 5.4 s	• Standard bucket for general purpose 2.1 m <sup>3</sup> with material density 1.8 kg/dm <sup>3</sup>
• 2x Lifting cylinders	• Lowering..... 3.5 s	• Lift capacity at ground level (ISO 14397-2) ..... 124 kN*
• 1x Bucket cylinder	• Dumping ..... 1.7 s	• Breakout force at bucket edge (ISO 14397-2) with quick-attachment.... 90 kN*
• Parallel lifting due to combined kinematic	• Total cycle time ..... 10.6 s	• Breakout force at bucket edge (ISO 14397-2) with direct mounted..... 106 kN*
		* with standard bucket

### DRIVELINE

• Continues variable transmission	• Traveling using inch pedal	• Multi-disc brakes on both axels, with separate circles
• Suction - Return filter	• Two variable displacement motors driven by one variable displacement pump	• Slow drive.....0 - 6 km/h
• Automotive drive	• Tractive effort .....107 kN at 0 km/h	• Fast drive.....0 - 40 km/h
• Close loop system	• Parking brake on rear axle	

### STEERING

• 2 x Steering cylinders	• Proportional hydraulic steering	• 80° total steering angle
• Load-sensing pump variable displacement pump	• Electrical emergency pump as standard	

### AXLES

• Front rigid axle	• 30% self differential lock	• Planetary gear set in wheel hub
• Rear oscillation axle	• Oscillation angle..... ± 12°	• Flange mass.....1920 mm

### CAB

• ROPS tested ISO 3471	• 2 x doors with 180 aparture angle	• Cushion adjustable driver seat
• FOPS tested ISO 2449	• 2 x front and read lights on the roof	<b>SOUND LEVELS:</b>
• A/C and heating unit	• Electrical front and read windshield wipers	• ISO 6396 (L <sub>p</sub> A) in driver's cab.....79 dB (A)
• Ergonomical design	• Combi-instrument with CAN network	• 2000/14 EG (L <sub>w</sub> A) ambience level.....103 dB (A)

### FILL CAPACITIES

• Fuel tank .....250 l	• AdBlue® .....32 l	• Axles middle hub, each axle..... 16 l
• Cooling system.....38 l	• Hydraulic oil total .....135 l	• Axle wheel hub, each axle.....2.6 l
• A/C.....900 g	• Hydraulic oil tank .....116 l	• Gear box .....4.3 l
• Engine oil..... 15 l		

# WORKING EQUIPMENT L210

## TIRES

• 20.5R25 EM60 16PR Mitas.....Standard	• 20.5R25 VSDL L5 Bridgestone	• 750/65R26 DT820 Goodyear
<b>OPTION:</b>	• 20.5R25 XLDD 2A Michelin	• 650/65R25 GP-3D Goodyear
• 20.5R25 VMT L3 Bridgestone	• 20.5R25 XHA2 L3 Michelin	• More available on request

## ADDITIONAL STANDARD EQUIPMENT

• Air Conditioner	• Operating data display screen	• Proportional joystick for 3 <sup>rd</sup> hydraulic circle
• Prepared for Radio	• SCR and DOC Catalysators	• Main battery switch operating in cab
• Steering column height and tilt adjustable	• Reversible Fan	

## OPTIONAL EQUIPMENT

• Quick attachment	• Camera	• Guard for front and rear lights
• 4rd hydraulic circle	• Bacon light	• Backalarm for reverse traveling
• Refueling pump	• Gear protection	• Automatic bucket positioning
• Central lubrication	• Anti- Tief device	• Trailer coupling
• Radio	• Pressurised cabin	• Speed limitation
• LED working lights	• TÜV	• Corrosion protect against salty environment
• Fog lights. 2x front or 2x front and 2 in middle of machine	• Ride control	• And more available on request

## FORK LIFT ATTACHMENT

• Operating load over the total lift and steering range..... 4500 kg	• Width of fork carrier..... 1900 mm	• Stability factor..... 1.25
• Operating load in transport position, approx. 300 mm above ground level, total steering range..... 5000 kg	• Length pallet forks (150x60 mm)..... 1200 mm	• Operating load determined on level ground = 80 % of tipping load, articulated

## BUCKET TYPE\*

	QA D	Volume	Material density	Teeth Cutting edge	Fill factor	Dumping height (A)
General-purpose bucket	QA	2.00 m <sup>3</sup>	1.8 t/m <sup>3</sup>	Teeth	100 %	2980 mm
General-purpose bucket	QA	2.00 m <sup>3</sup>	1.8 t/m <sup>3</sup>	Cutting edge	100 %	2940 mm
General-purpose bucket	D	2.10 m <sup>3</sup>	1.8 t/m <sup>3</sup>	Teeth	100 %	3010 mm
General-purpose bucket	D	2.10 m <sup>3</sup>	1.8 t/m <sup>3</sup>	Cutting edge	100 %	2970 mm
Earth bucket	QA	2.20 m <sup>3</sup>	1.6 t/m <sup>3</sup>	Teeth	100 %	2940 mm
Earth bucket	QA	2.20 m <sup>3</sup>	1.6 t/m <sup>3</sup>	Cutting edge	100 %	2890 mm
Light-material bucket	QA	2.80 m <sup>3</sup>	1.2 t/m <sup>3</sup>	Cutting edge	100 %	2750 mm
Light-material bucket	D	3.50 m <sup>3</sup>	0.8 t/m <sup>3</sup>	Cutting edge	100 %	2670 mm
Multi-purpose bucket	QA	1.80 m <sup>3</sup>	1.6 t/m <sup>3</sup>	Teeth	100 %	2865 mm
High-tip bucket	QA	2.00 m <sup>3</sup>	1.2 t/m <sup>3</sup>	Cutting edge	100 %	4450 mm

## EXAMPLES OF MATERIAL DENSITY (t/m<sup>3</sup>)

<b>Construction</b>	sediment.....	2.1	paper.....	0.9	
concrete.....	1.9	crushed stone.....	1.5	slag.....	1.0
soil (dry).....	1.5	de-icing salt.....	1.3	slag concrete.....	2.7
soil (watery).....	2.0	clay.....	1.6	<b>Landscaping, Agriculture</b>	
rock (fill).....	2.4	cement.....	1.7	agricultural crop.....	0.7
granite.....	1.8	clinker (stacked).....	1.8	grain.....	0.6
limestone.....	1.6	<b>Industry</b>		hay.....	0.3
gravel (dry).....	1.9	ember.....	0.7	potash.....	1.1
gravel (watery).....	2.1	brown coal briquette.....	0.8	compost.....	1.0
loam.....	1.7	ferrous product.....	7.8	flour.....	0.5
plaster.....	2.2	iron ore.....	2.3	clay (watery).....	2.3
sand (dry).....	1.9	cullet.....	1.9	phosphate fertiliser.....	2.2
sand (watery).....	2.1	gas coke.....	0.4	turf (watery).....	1.1
sandstone.....	2.4	timber.....	0.8	turf (dry).....	0.4
shale.....	2.2	mineral coal.....	1.2	mineral fertilizer.....	1.0



# DIMENSIONS L210

## Dimensions

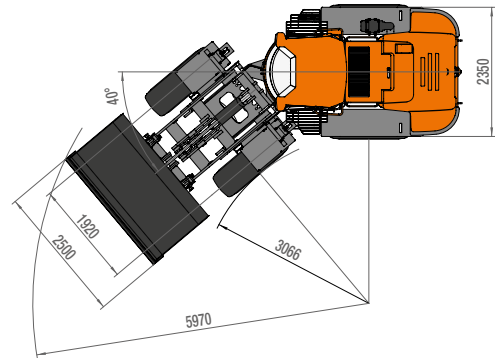
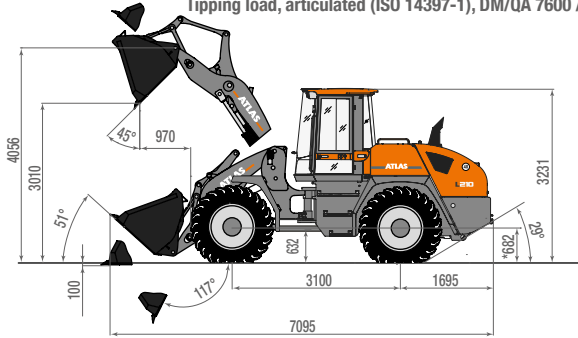
### GENERAL-PURPOSE BUCKET

Capacity in compare with ISO 7546: 2,1 m<sup>3</sup>

Max. density of material: 1,8 t/m<sup>3</sup>

Tipping load, straight (ISO 14397-1), DM/QA 8700 / 8340 kg

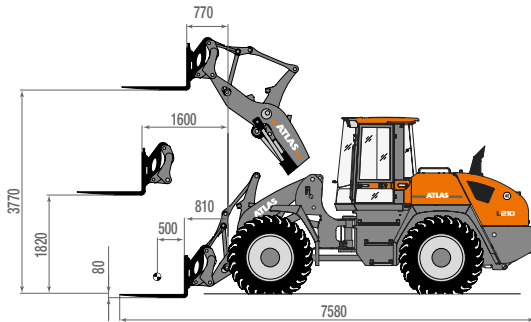
Tipping load, articulated (ISO 14397-1), DM/QA 7600 / 7280 kg



### FORK LIFT ATTACHMENT

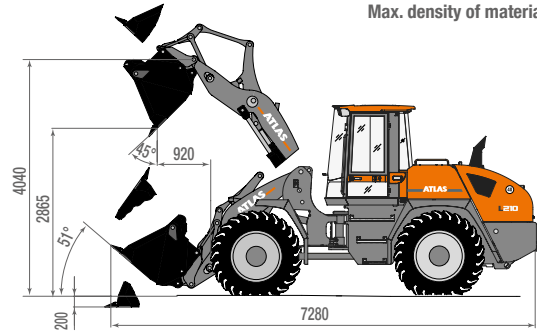
Operating load over total lift range: 4500 kg

Operating load in transport position: 5000 kg



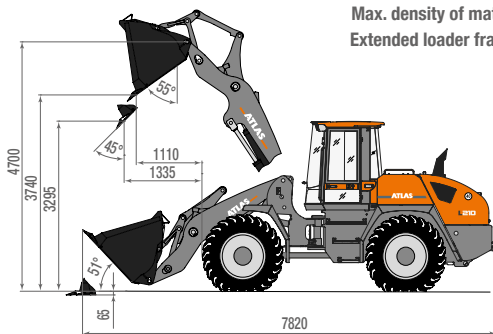
### MULTI-PURPOSE BUCKET

Capacity in compliance with ISO 7546: 1.80 m<sup>3</sup>  
Max. density of material: 1.6 t/m<sup>3</sup>

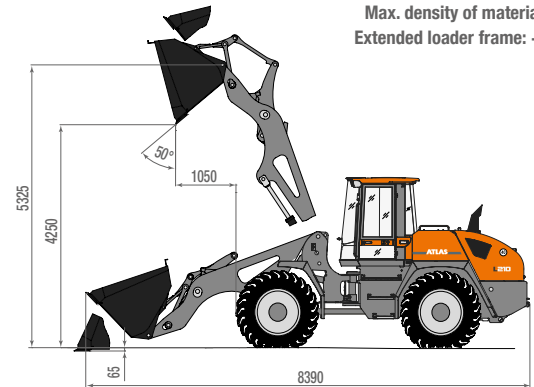


### EXTENDED LOADER FRAME

Capacity in compliance with ISO 7546: 2.40 m<sup>3</sup>  
Max. density of material: 1.4 t/m<sup>3</sup>  
Extended loader frame: +650 mm



Capacity in compliance with ISO 7546: 3.50 m<sup>3</sup>  
Max. density of material: 0.5 t/m<sup>3</sup>  
Extended loader frame: +1250 mm



[www.atlasgmbh.com](http://www.atlasgmbh.com)

**ATLAS GmbH**

Atlasstrasse 6, 27777 Ganderkesee, Germany

T: +49 (0) 4222 954 0, F: +49 (0) 4222 954 343

info@atlasgmbh.com

L210-EN (1) Effective from: May 2018. Product description and product prices may be changed at any time without prior notice. The photographs and/or drawings in this document are for illustrative purposes only. Refer to the appropriate Operator's Manual for instructions on the proper use of this equipment. Failure to follow the appropriate Operator's Manual when using our equipment or otherwise act irresponsibly may result in serious injury or death. The only warranty applicable to this product is the standard written warranty. Atlas makes no other warranty, expressed or implied, going beyond this guarantee. Products and services listed may be trademarks, service marks or trade-names of Atlas GmbH and/or its subsidiaries. All rights reserved. "ATLAS" is a registered trademark of Atlas GmbH. Copyright © 2018 Atlas GmbH.