

KOBELCO

SK10SR-2E

SK10SR



Complies with the EU Stage V
exhaust emission regulation

We Save You Fuel
Achieving a Low-Carbon Society

Full-Scale Performance in Compact Size



JAPANESE QUALITY

For residential areas and industrial premises, you need a machine that can maneuver and swing within a compact radius. The SK10SR is designed to do just that, with smooth, powerful control, and great stability. Though small in size, it gives you all of the performance and durability you expect, and gets the job done fast!

Compact yet Big Performance

The combination of side-ditch digging function and short tail radius makes it easy to dig next to walls with a compact operating footprint.

Tail Overhang: **260mm**



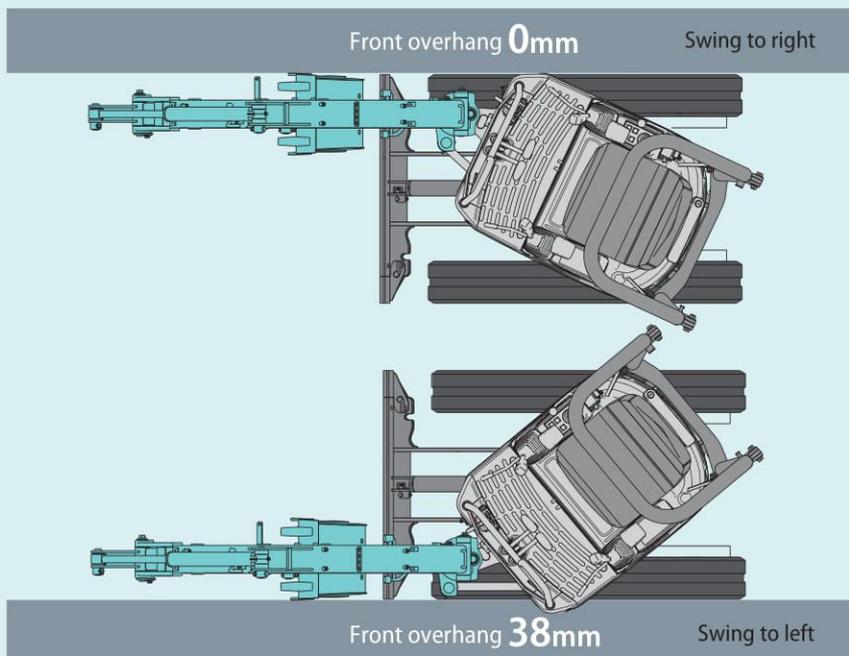
Retractable Crawlers

Crawlers can be easily extended and retracted by operating a simple lever. Capable of passing through spaces as narrow as 750 mm wide, the SK10SR can be used on a wide variety of urban and industrial site.



Precision Digging Close to Walls

The boom swing feature allows digging of trenches, etc. close up to walls.

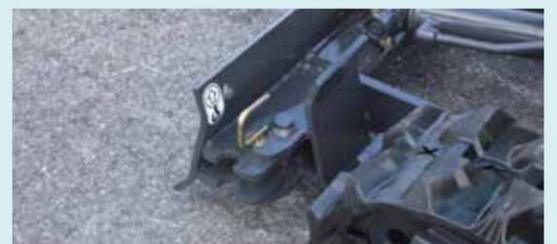


Requires 1.8 m of Working Space

With a 180° working radius of 1.8 m, SK10SR only needs of space to dig, swing, and load continuously.

Easy Extended/Retracted Blade

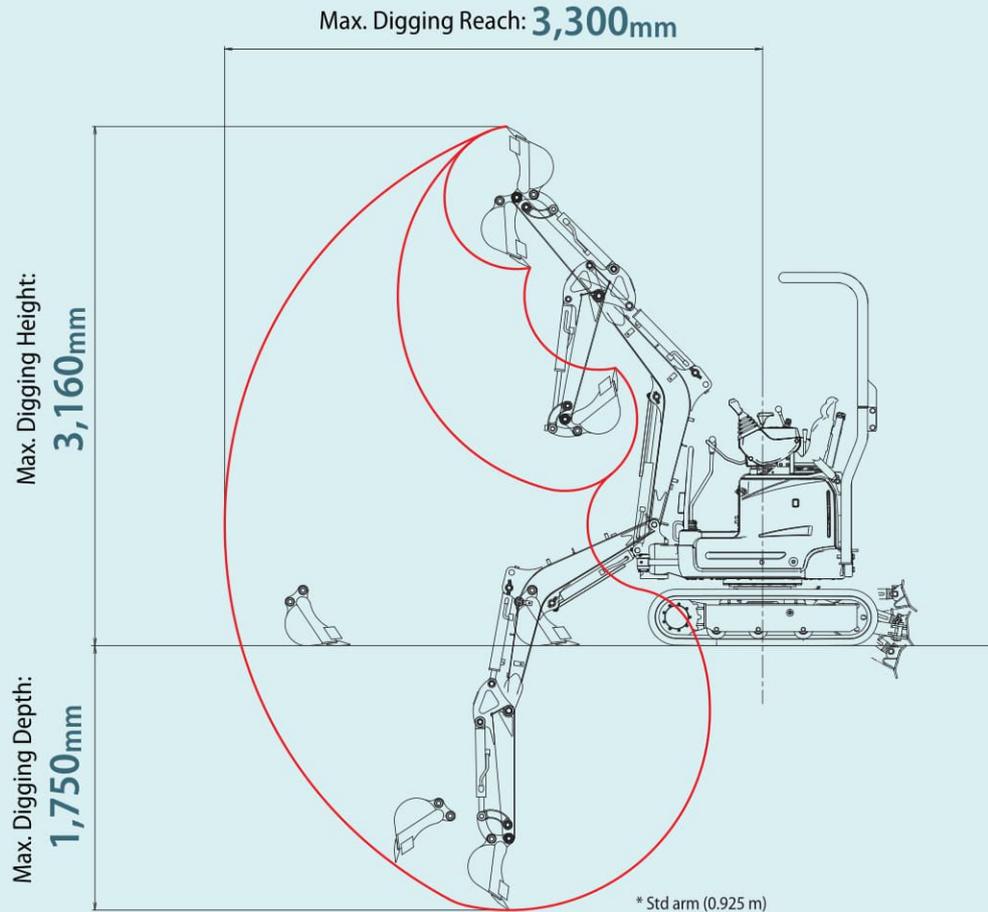
Dozer blade with pin-type hinge can be easily extended/retracted.



Great Performance in Tight Places

Wide Working Range

The SK10SR has plenty of working ranges.



Boom Swing Angle

The boom swing angles of 80 degrees to the left and 50 degrees to the right for optimized performance when digging pipeline ditches and side walls.

Reliable Swing Power, Faster Working Speeds

Boosted swing power and a top-class swing speed deliver shorter cycle times.

Swing Speed: **9.0 min⁻¹**

Powerful Digging

For more efficient work performance.

Max. Arm Crowding Force: **6.2 kN**

Max. Bucket Digging Force: **10.8 kN**

Service Valve Provided as Standard

Service valve installed with control valves as standard, for easy switching to N&B and similar attachments.

Easy Transportability

30° Dozer Approach Angle

Dozer can be raised up to 30° allowing straightforward self-drive up a ramp onto a truck for transportation.

Lifting Eyes Enhance Safety

Lifting eyes provided in 3 locations for safer, easier loading/unloading using a crane.



1 on each side of dozer blade

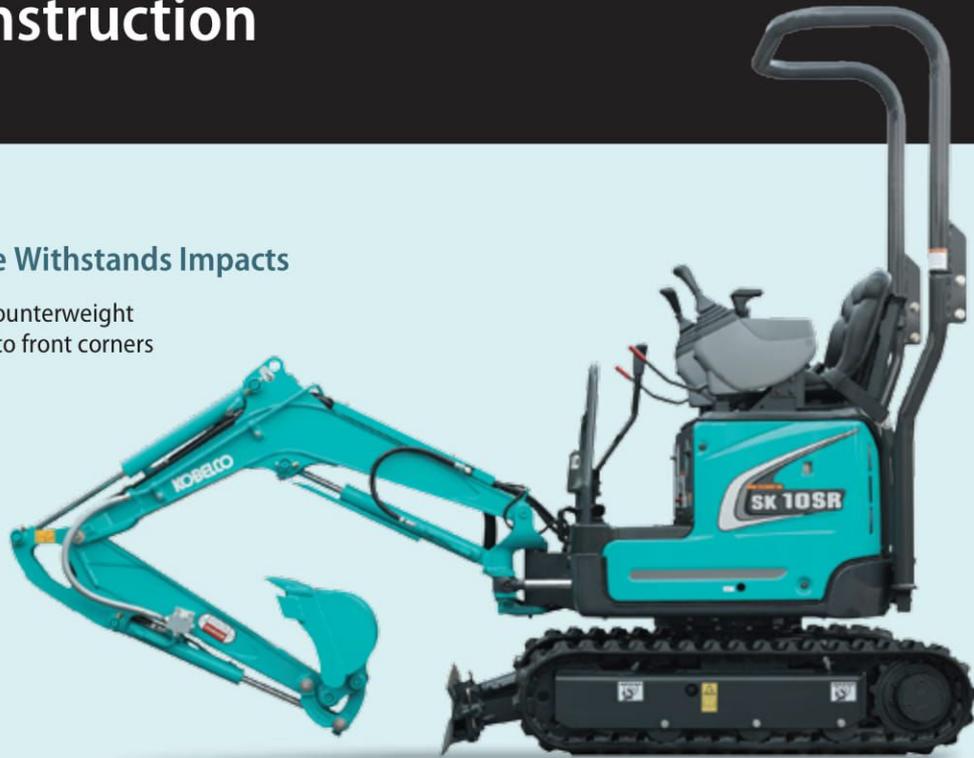


1 on boom

Reliable Construction

Cast Steel Upper Frame Withstands Impacts

Upper frame with integrated counterweight designed to withstand impact to front corners during swing.



Avoiding Rupture to Hydraulic Hoses



Bucket cylinder hoses sited within the arm



Protective cover for hoses behind the boom



2-part type boom cylinder hoses



Joint-type dozer hoses

Easy Maintenance

Large, Wide-opening Bonnet

Large bonnet, integrated with lever consoles, opens fully for greatly improved access to machinery for easy maintenance.



Fuel tank gauge



Hydraulic oil tank gauge



Radiator over flow bottle



Hydraulic oil tank



Battery



Control valve

Easily Detachable Side Guards

Easy access when inspecting control valves and cleaning radiator.

Lubrication for attachment: **every 250 hours**

(except around the bucket)



Comfortable Work Environment



Broader floor space gives operators plenty of foot room. Wide operational space is provided with more room between the left and right control consoles

Side Levers for Easy Control

Side lever operating style is the same as bigger machines, for relaxed and comfortable control. Hydraulic pilot makes control levers lighter, and sensitive response makes inching work easy.

Lever Control Delivers Smooth Starts

Control valves are tuned to make each type of action as smooth as possible. Hydraulic flow initially limited for a smoother start-up.

Excellent Dozer Inching Control

Dozer inching control provides for precise ground leveling.



Pass-through

A clear left-to-right pass-through offers greater convenience for the operator.



Wrist Rest

Wrist rests fitted on the each control lever box ensure fatigue free operation.

Safety

ROPS & TOPS Roll Bar

The standard roll bar feature complies with ROPS & TOPS specifications.



Travel Alarm



Warning alarm for nearby personnel sounds during travel.

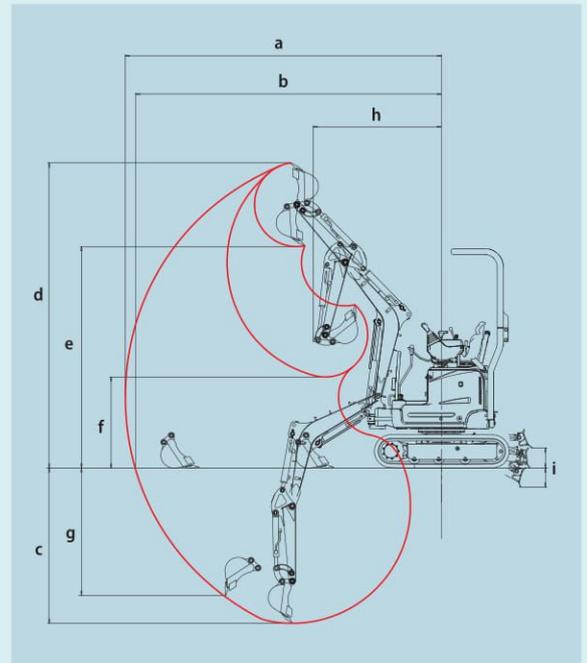
Safety Lever Lock



SPECIFICATIONS

| MODEL | | SK10SR | |
|-------------------------------|-------------------------|---|------------|
| Type | | SK10SR-2E | |
| PERFORMANCE | | | |
| Bucket Capacity ISO heaped | m ³ | 0.022 | |
| Travel Speed (high/low) | km/h | 3.7/2.0 | |
| Swing Speed | min ⁻¹ {rpm} | 9.0 | |
| Swing Torque | kN·m | 1.61 | |
| Gradeability | % (degree) | 58 (30) | |
| Drawbar Pulling Force | kN | 10.2 | |
| Bucket Digging Force | kN | 10.8 | |
| Arm Crowding Force | kN | 6.2 | |
| WEIGHT | | | |
| Machine Mass | kg | 1,065 | |
| Ground Pressure | kPa | 28.0 | |
| Shoe Width | mm | 180 | |
| Shoe Type | | Rubber | |
| ENGINE | | | |
| Model | | YANMAR 2TNV70-WYB | |
| Type | | Swirl-chamber, water cooled, 4-cycle, 2-cylinder, diesel engine | |
| Power Output NET | (ISO 9249) | kW/min ⁻¹ (rpm) | 5.9/2,000 |
| | (ISO 14396) | kW/min ⁻¹ (rpm) | 6.1/2,000 |
| Max. Torque NET | (ISO 9249) | N·m/min ⁻¹ (rpm) | 31.2/1,500 |
| | (ISO 14396) | N·m/min ⁻¹ (rpm) | 31.7/1,500 |
| Displacement | L | 0.569 | |
| Fuel Tank | L | 10.0 | |
| HYDRAULIC SYSTEM | | | |
| Pump | | Two variable displacement pumps + one gear pump | |
| Max. Discharge Flow | L/min | 2 x 11.0, 6.0 | |
| Relief Valve Setting | MPa | 20.6 | |
| Hydraulic Oil Tank (system) | L | 9.8 (14.2) | |
| DOZER BLADE | | | |
| Width x Height | mm | 750/980 x 200 | |
| Working Ranges (height/depth) | mm | 190/240 | |
| SIDE DIGGING MECHANISM | | | |
| Type | | Boom swing | |
| Offset Angle | To the left | degree | 80 |
| | To the right | degree | 50 |

WORKING RANGES

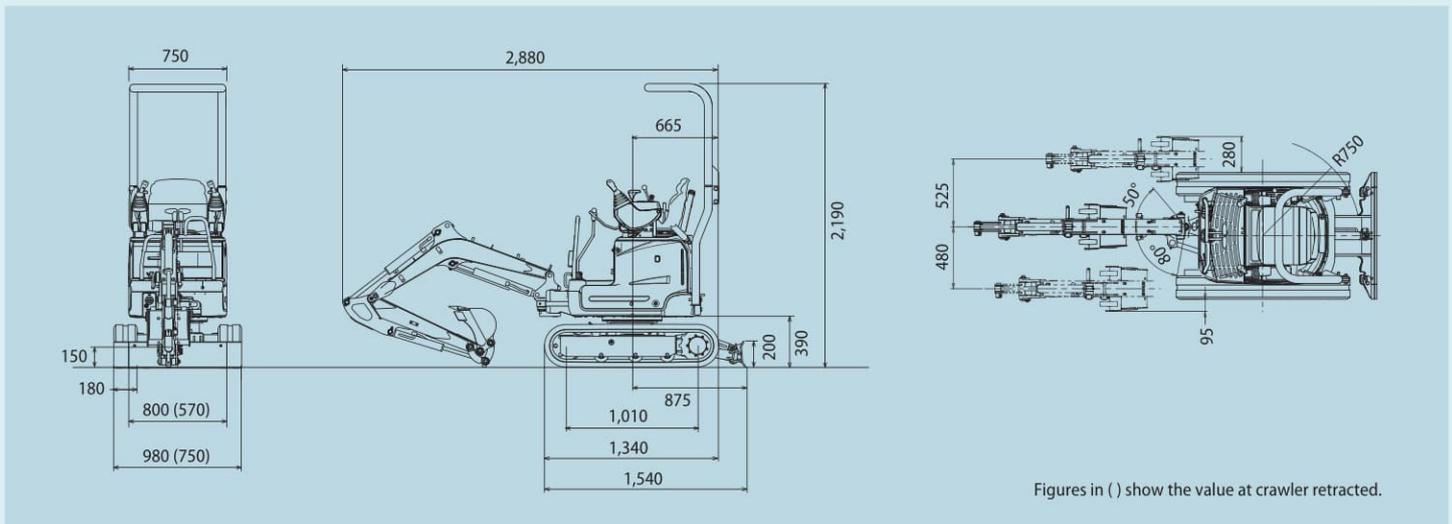


Unit: mm

| MODEL | SK10SR |
|---------------------------------------|---------------|
| Arm | Standard |
| | 0.925 m |
| a- Max. digging reach | 3,300 |
| b- Max. digging reach at ground level | 3,210 |
| c- Max. digging depth | 1,750 |
| d- Max. digging height | 3,160 |
| e- Max. dumping clearance | 2,320 |
| f- Min. dumping clearance | 740 |
| g- Max. vertical wall digging depth | 1,460 |
| h- Min. swing radius (at boom swing) | 1,390 (1,050) |
| i- Dozer blade (height/depth) | 190/240 |

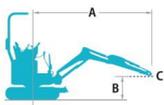
GENERAL DIMENSIONS

Unit: mm



Figures in () show the value at crawler retracted.

LIFT CAPACITIES



A - Reach from swing centerline to arm top
 B - Arm top height above/below ground
 C - Lift point
 Relief valve setting: 20.6 MPa

| SK10SR | | Long arm: 0.925 m | | Bucket: without | | Rubber shoe: 180 mm | | Dozer blade: up | | At Max. Reach | | Radius |
|--------|----|-------------------|------|-----------------|-----|---------------------|-----|-----------------|-----|---------------|-----|--------|
| A | | 1.0 m | | 1.5 m | | 2.0 m | | 2.5 m | | | | |
| B | | | | | | | | | | | | |
| 2.5 m | kg | | | | | | | | | 200 | 170 | 1.98 m |
| 2.0 m | kg | | | | | *200 | 180 | | | 140 | 120 | 2.46 m |
| 1.5 m | kg | | | | | 200 | 170 | 140 | 120 | 110 | 100 | 2.73 m |
| 1.0 m | kg | | | 300 | 260 | 190 | 160 | 130 | 110 | 100 | 90 | 2.85 m |
| 0.5 m | kg | | | 280 | 230 | 180 | 150 | 130 | 110 | 100 | 90 | 2.86 m |
| G. L. | kg | *350 | *350 | 270 | 220 | 170 | 150 | 120 | 100 | 110 | 90 | 2.76 m |
| -0.5 m | kg | 570 | 450 | 270 | 220 | 170 | 140 | 120 | 100 | 120 | 100 | 2.52 m |
| -1.0 m | kg | 580 | 470 | 270 | 230 | 170 | 150 | | | 160 | 140 | 2.09 m |

Note:

- Do not attempt to lift or hold any load that is greater than these lift capacities at their specified lift point radius and heights. Weight of all accessories must be deducted from the above lift capacities.
- Lift capacities are based on machine standing on level, firm, and uniform ground. User must make allowance for job conditions such as soft or uneven ground, out of level conditions, side loads, sudden stopping of loads, hazardous conditions, experience of personnel, etc.
- Arm top is defined as lift point.
- The above lift capacities are in compliance with ISO 10567. They do not exceed 87% of hydraulic lift

capacity or 75% of tipping load. Lift capacities marked with an asterisk (*) are limited by hydraulic capacity rather than tipping load.

- Operator should be fully acquainted with the Operator's and Maintenance Instructions before operating this machine. Rules for safe operation of equipment should be adhered to at all times.
- Lift capacities apply to only machine as originally manufactured and normally equipped by KOBELCO CONSTRUCTION MACHINERY CO., LTD.



AUSTRO

Baumaschinen, s.r.o.

Note: This catalog may contain attachments and optional equipment that are not available in your area. And it may contain photographs of machines with specifications that differ from those of machines sold in your areas. Please consult your nearest KOBELCO distributor for those items you require. Due to our policy of continuous product improvements all designs and specifications are subject to change without advance notice.

Copyright by **KOBELCO CONSTRUCTION MACHINERY CO., LTD.** No part of this catalog may be reproduced in any manner without notice.

KOBELCO CONSTRUCTION MACHINERY EUROPE B.V.

Veluwezoom 15
 1327 AE Almere
 The Netherlands
www.kobelco-europe.com



AUSTRO Baumaschinen s.r.o.

Vídeňská 264/120b
 619 00 Brno

obchod@austrobaumaschinen.cz

www.austrobaumaschinen.cz

+420 602 121 514