

KOBELCO

SK28SR-6E/SK30SR-6E/SK35SR-6E

SK28SR SK30SR SK35SR



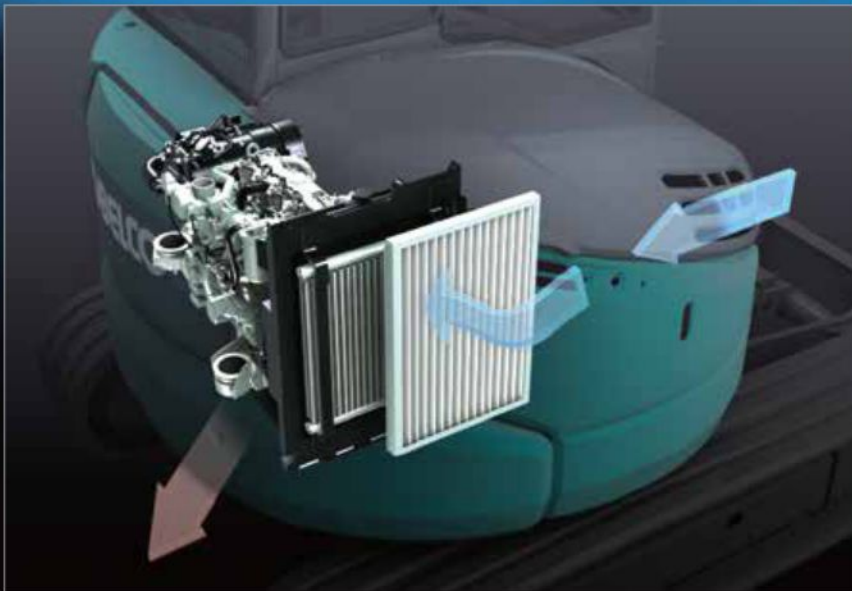
Complies with the EU Stage V
exhaust emission regulation

We Save You Fuel
Achieving a Low-Carbon Society

Full-Size Performance, Short-Radius Agility and Quiet Operation

COMPACT YET TOUGH MINI

The new KOBELCO SK28SR, SK30SR and SK35SR expand the horizons of mini excavators, and offer practical performance features while maintaining a short tail swing. The new Energy Conservation Mode saves even more fuel, and Kobelco's proprietary iNDr Cooling System ensures quiet operation, protection from dust, and easy maintenance. For greater operator comfort and safety, the spacious cab design offers plenty of room and an unobstructed view. It all adds up to enhanced full-size performance, short-radius agility and a low-noise environment, with exceptional performance features and a full range of value-added functions.





SK30SR

iNDR Cooling System

The Revolutionary Integrated Noise and Dust Reduction Cooling System

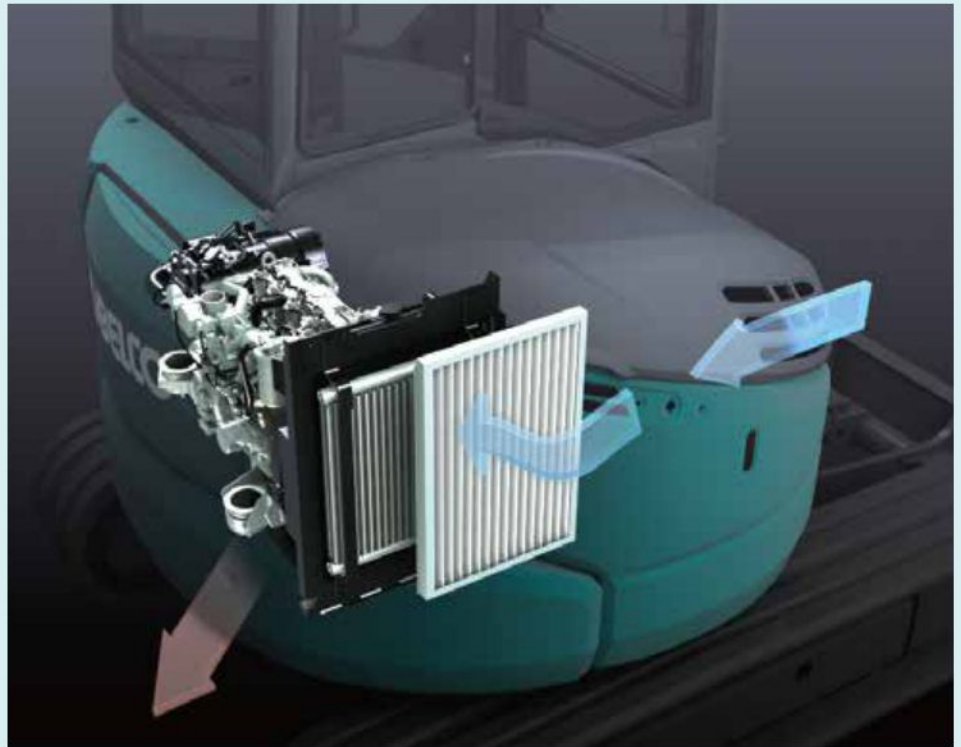


The highly airtight engine compartment and the offset duct contribute to noise reduction. The iNDR filter fitted in front of the cooling system ensures easy cleaning. The iNDR system on the SR Series mini excavators features air intake at the front of the machine and air exhaust underneath. It functions in the same way as the iNDR System on the SR series Heavy machines.

Ultimate Low Noise

KOBELCO's exclusive iNDR Cooling System delivers amazingly quiet operation.

Sound Power Level



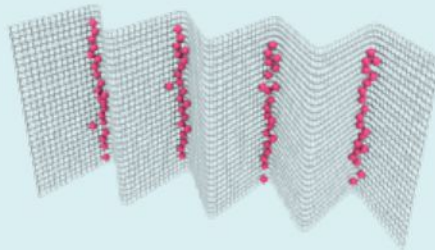
Visual Checking and Easy Cleaning

Because the iNDR filter removes dust from the intake air, cooling components stay dirt-free and do not require regular cleaning. The iNDR filter itself can be easily removed and cleaned without the use of tools.



iNDR Filter

The stainless-steel filter is extremely effective against dust, with 30-mesh wave-type screen that removes tiny dust particles from the intake air.



• 30-mesh means that there are 30 holes formed by horizontal and vertical wires in every square inch of filter.

iNDR Filter Blocks Out Dust

Outside air goes directly from the intake duct through the iNDR filter for dust removal.



PERFORMANCE

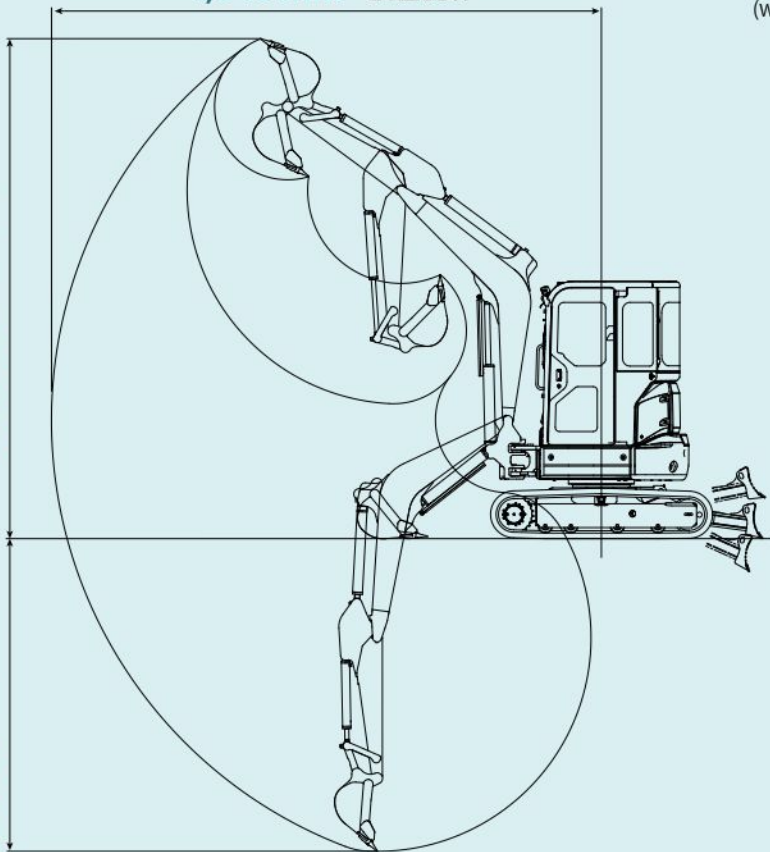
Compact, yet, Big Performance

Wide Working Range

A larger boom and arm are provided as standard equipment to ensure a wider working range.

5,350 mm – SK35SR
5,200 mm – SK30SR
4,840 mm – SK28SR

3,050 (2,970) mm – SK35SR
2,820 (2,800) mm – SK30SR
2,590 mm – SK28SR
4,870 (5,040) mm – SK35SR
4,800 (5,050) mm – SK30SR
4,480 mm – SK28SR



Figures in () show the value of canopy.

Short Tail Swing

The compact tail swing improves operating efficiency in limited space.

Tail overhang:
0 mm
(without rear view mirror)



Easy Transportability

With an overall height of 2,510 mm, the machine is designed for easy transport.



Overall height:
2,510 mm

Easy Hydraulic Piping for Quick Hitch (Option)

Piping for quick Hitch is useful for changing attachment.



Fuel Economy and Digging Power

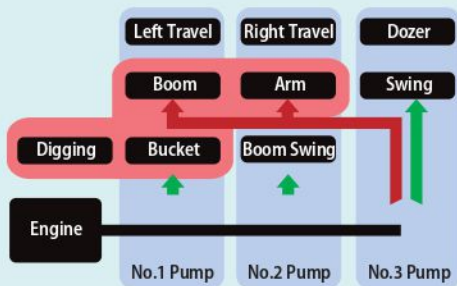
Solid Digging Performance

Assured Pump Flow and Pump Pressure

Pump flow of 38.4 L/min for SK30SR and SK35SR and 28.8 L/min for SK28SR, and pressure of 23.0 MPa (relief valve setting), maintain ample power.

Integrated-Flow Pump System

The instant the machine begins to dig extra output from the third pump (which otherwise powers the swing and dozer circuit) is directed to the arm circuit and boom circuit (raise) for added power. This ensures fast and smooth arm and boom raising operation even under heavy loads.



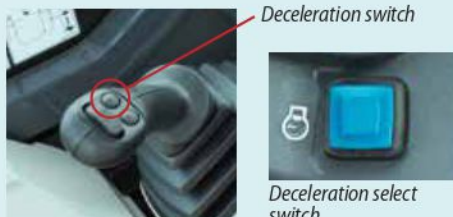
Energy Conservation Mode

The machine is equipped with S mode, which lowers fuel consumption by up to 25 % over previous models.



One Touch Deceleration

The machine features one-touch deceleration. It allows easy switching to an idling state, reducing the fuel consumption while the machine is at rest. And also, the deceleration select switch is provided on the control panel.



Travel Power

Large Capacity Travel Torque

The large capacity travel torque enables the machine to perform spin turn in low mode even when the dozer is pushing a heavy load.

Automatic Two-Speed Travel

An automatic shift function ensures smoother, more efficient travel on worksite. When the High mode is selected, the travel system will automatically shift to Low mode whenever the load or climbing grades requires more power.

Travel Switch

The travel lever is fitted with a button for easy shift up.



Powerful and Efficient Dozer Performance

Dozer-Blade Shape

Kobelco's unique blade design forms the earth into an arc, that always falls in front of the blade. This prevents earth falling behind the blade so only "one pass" is needed.



Hydraulic Pilot-Controlled Dozer Operation Lever



The dozer lever features hydraulic pilot control for precise handling.



Easy Daily Maintenance

Start-up checks are essential for safe and reliable machine operation. All start-up checks can be performed at ground level, with an easy-to-understand layout and cover design that simplify access and save time.

Easy Access to Component Inside the Cab



Two-piece floor mats for easy washing



Hour meter



Air conditioner filter



Floor Mat with Raised Edges

Floor mat's raised edges help keep the cab floor free of mud, simplifying cleaning.



Easy Access to Engine Compartment



High-grade fuel filter



Pre fuel filter with built-in water separator



Air cleaner



Fuel tank

Easy Access to Cooling Unit

iNDr filter



COMFORT

Comfortable Work Environment

Spacious Work Environment

The spacious cab provides optimized control layout for comfortable, easy operation. A greater window area further improves visibility. A clear view is provided at the rear, and there's also more floor space, with a seat that slides further to ensure plenty of leg room.

Easy Access

A wide-opening door and a left-hand tilting control console with safety lever that rises high, make it easy for operators to enter and exit the cab.



Sliding Door

Sliding door makes cab entry and exit easier where space is tight.



Reclining Suspension Seat

Suspension seat reclines to allow operator to optimize operating position and sit comfortably.



Skylight



Control Lever

Precise proportional controls are integrated into the joystick for ease of operation.

Color Multi Display (Option)



Operation data as well as the full range of machine-status data can readily be checked.



Maintenance



Working hours

Comfortable Operating Environment

Opening Right Window

Rear window to the right can be opened to improve ventilation.



Climate Control

The climate control system is located down and to the right of the seat keeping the rear view clear.



Opening/Closing Front Window

The front window features gas damper cylinders for smooth and easy opening and closing.



Coat Hook



Room Light



Two-Speaker FM/AM Radio with Station Select

Bluetooth Installed Radio



Bluetooth installed to allow connections with iPhones and other devices.

12V Power Source

Power for various purposes



USB Port

USB port can be used to play music etc.



Operator Safety

Reliable Cab/Canopy Structure

The high-strength cab/canopy meets ROPS and TOP GUARD LEVEL 1 standards for greater operator safety.



Rear View Mirrors



Bracket for Yellow Rotating Light

Bracket provided at cab rear for optional fitting of a yellow rotating warning light.



Hammer for Emergency Exit



Work Light

Work light is mounted under the boom to protect from damage.



Reliable Construction

The boom, arm and swing bracket all have large cross-section segments for added attachment strength.

Boom cylinder guard



Forged boom top



Plate type pin



Bolt-tightened pins

Bolt-tightened pins firmly lock the boom and arm to prevent the boom top from opening laterally.



Swing bracket
Large, thick cast-iron swing bracket/front bracket.



Hydraulic hosing
The hydraulic hosing is housed inside the swing bracket.



Dozer
Box construction dozer supports provide greater strength.



Bucket
Cast-iron idler link provide greater strength.

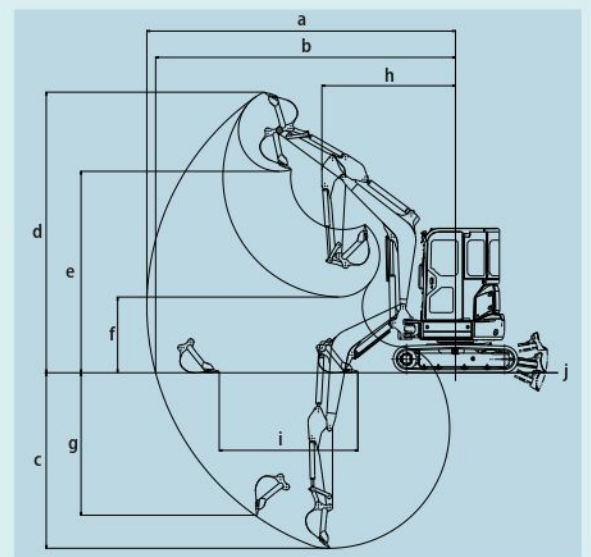
SPECIFICATIONS

MODEL		SK28SR	SK30SR	SK35SR	
Type		SK28SR-6E	SK30SR-6E	SK35SR-6E	
Machine Mass	Cab	kg	2,950	3,380	3,770
	Canopy	kg	2,800	3,220	3,630
Bucket Capacity		m ³	0.08	0.09	0.11
Bucket Width (with side cutter)		mm	500	500	600
Arm Length		mm	1.18	1.32	1.37
Bucket Digging Force		kN	24.7	27.7	27.8
Arm Crowding Force		kN	16.6	19.1	22.4
ENGINE					
Model					
YANMAR 3TNV82A-B					
Type					
Water cooled, 4-cycle, 3-cylinder, direct injection, diesel engine					
Power Output	(ISO 9249)	kW/min ⁻¹	17.1/2,400		
	(ISO 14396)	kW/min ⁻¹	17.8/2,400		
Max.Torque	(ISO 9249)	N-m/min ⁻¹	77.7/1,440		
	(ISO 14396)	N-m/min ⁻¹	79.4/1,440		
Displacement		L	1.331		
Fuel Tank		L	42.0		
HYDRAULIC SYSTEM					
Pump					
Two variable displacement pumps + One gear pump					
Max. Discharge Flow		L/min	2 x 28.8, 1 x 16.1	2 x 38.4, 1 x 19.2	
Relief Valve Setting		MPa	23.0		
Hydraulic Oil Tank (system)		L	20.4 (41.1)	20.4 (44.8)	
TRAVEL SYSTEM					
Travel Motors					
2 x axial-piston, two-step motors					
Parking Brake					
Oil disc brake per motor					
Travel Speed (high/low)		km/h	3.8/2.1	4.4/2.5	
Gradeability		% (degree)	58 (30)		
Drawbar Pulling Force	Cab	kN	34.8	38.3	38.1
	Canopy	kN	34.9	38.4	38.2
CRAWLER					
Shoe					
Rubber					
Shoe Width		mm	300		
Ground Pressure	Cab	kPa	26.3	30.1	33.5
	Canopy	kPa	24.9	28.7	32.2
DOZER BLADE					
Width x Height		mm	1,550 x 345	1,550 x 345	1,700 x 345
SWING SYSTEM					
Swing Motor					
Axial piston motor					
Parking Brake					
Oil disc brake, hydraulic operated automatically					
Swing Speed		min ⁻¹	8.4		

WORKING RANGES

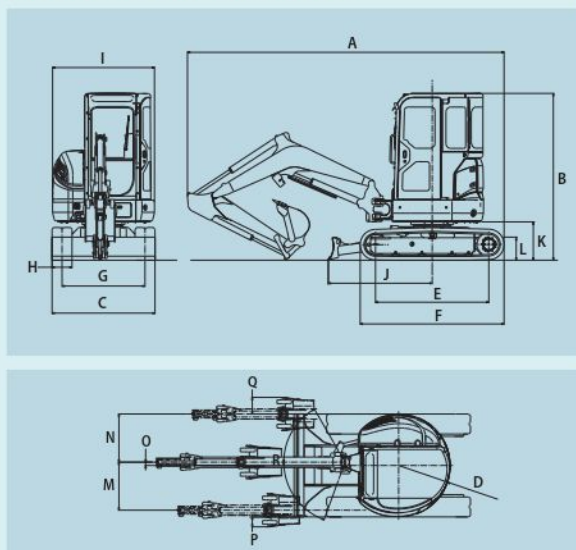
Unit: mm

MODEL	SK28SR	SK30SR	SK35SR
		Cab Canopy	Cab Canopy
Arm length	1.18 m	1.32 m	1.37 m
a- Max. digging reach	4,840	5,200	5,350
b- Max. digging reach at ground level	4,680	5,040	5,200
c- Max. digging depth	2,590	2,820 2,800	3,050 2,970
d- Max. digging height	4,480	4,800 5,050	4,870 5,040
e- Max. dumping clearance	3,090	3,420 3,640	3,490 3,650
f- Min. dumping clearance	1,290	1,300 1,430	1,310 1,400
g- Max. vertical wall digging depth	2,270	2,370	2,470
h- Min. swing radius at boom swing	2,190 1,900	2,300 1,910 2,190 1,890	2,320 1,930 2,150 1,880
i- Horizontal digging stroke at ground level	1,910	2,230	2,400
j- Dozer blade (height/depth)	450/370	470/400	470/400



GENERAL DIMENSIONS

Unit: mm



MODEL	SK28SR	SK30SR	SK35SR
A Overall length	4,510	4,730	4,820
B Overall height	2,510	2,510	2,510
C Overall width	1,550	1,550	1,700
D Tail swing radius	775	775	850
E Tumbler distance	1,700	1,700	1,700
F Overall length of crawler	2,160	2,160	2,160
G Track gauge	1,250	1,250	1,400
H Shoe width	300	300	300
I Overall width of upperstructure	1,530	1,530	1,530
J Distance from dozer top to center of upperstructure	1,500	1,560	1,560
K Ground clearance of rear end	570	570	570
L Ground clearance	300	300	300
MODEL	SK28SR	SK30SR	SK35SR
M Offset volume (Left)	680	720	720
N Offset volume (Right)	675	725	725
O Offset volume between center of boom and center of machine	50	50	50
P Digging volume at outside of shoe (Left)	100	150	120
Q Digging volume at outside of shoe (Right)	200	250	225
R Boom swing angle (Left/Right)	60°/55°	70°/60°	70°/60°

OPTIONAL EQUIPMENT

• N&B (foot) piping	• Bolt-on Pad shoes (for steel shoe)	• Rear under mirror
• Rotation (PHC*) + N&B (foot) piping	• Add-on counterweight (250 kg) + 90 mm tail swing radius	• Arm & bucket cylinder cover
• Rotation (PHC*) + N&B (PHC*) piping	• Object Handling Kit (Boom & arm holding valve + hook)	• Front guard
• Color Multi display	• Additional work light for canopy	• Top guard
• Long arm (+300 mm)	• Travel alarm	• Quick Hitch piping
• Steel shoe	• Rear view mirror	

*Proportional Hand Controlled

